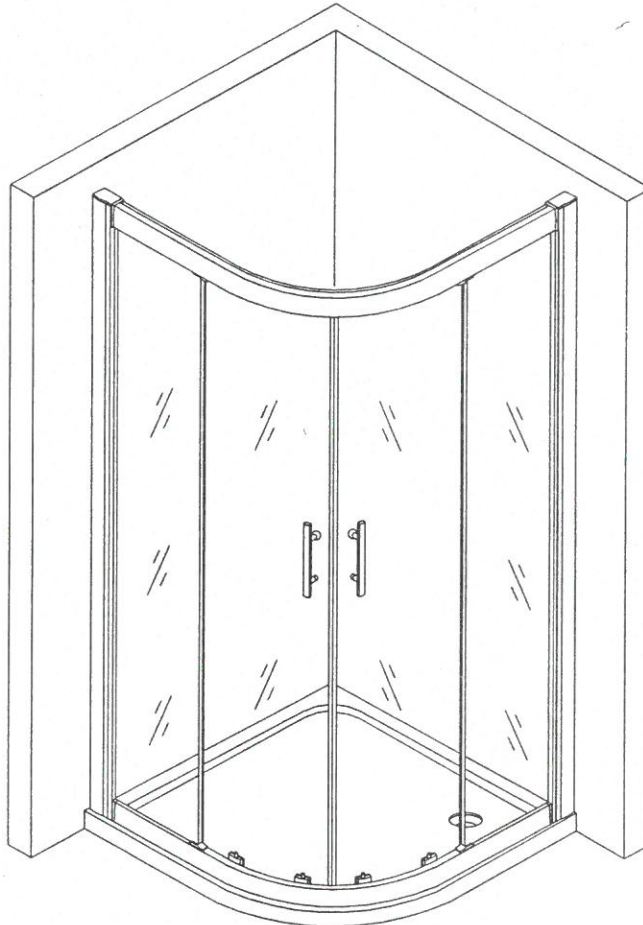


INSTALLATION MANUAL

VOLENTE QUAD

Eastbrook Code	Adjustment	Eastbrook Code	Adjustment
58.003	775-795	58.106	875-895/1175-1195
58.004	875-895	58.107	775-795/975-995
58.006	975-995	58.108	875-895/975-995
58.105	775-795/1175-1195	58.122	675-695/1175-1195
58.123	675-695/975-995	58.124	675-695/1075-1095
58.109	735-755/1075-1095	58.120	775-795/1075-1095
58.121	875-895/1075-1095	58.125	735-755/1275-1295
58.126	775-795/1275-1295	58.127	735-755/1375-1395
58.128	775-795/1375-1395		

This product should only be fitted by a fully qualified installer.

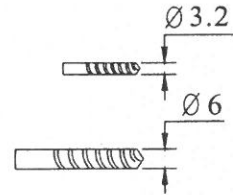
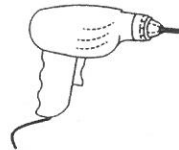
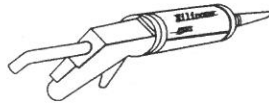
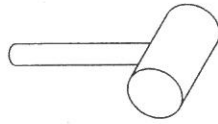
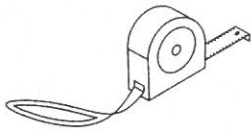


The product should be unpacked and checked for quality prior to install.

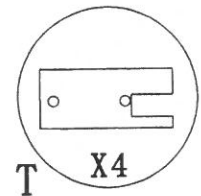
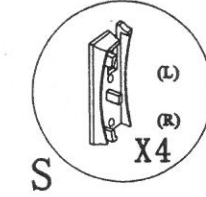
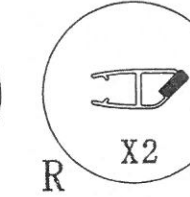
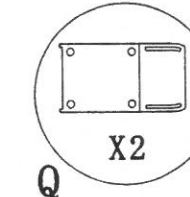
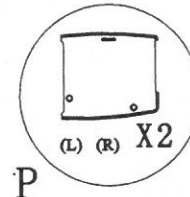
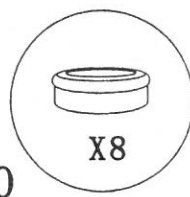
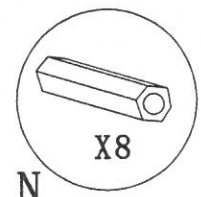
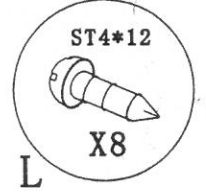
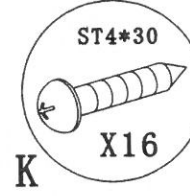
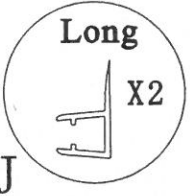
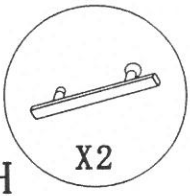
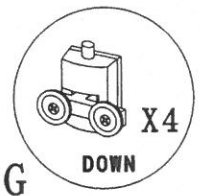
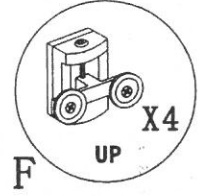
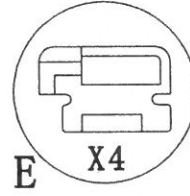
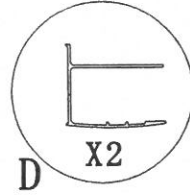
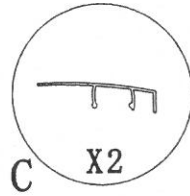
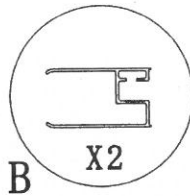
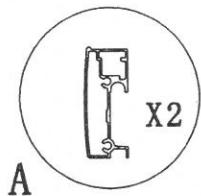
Any missing parts or damage must be reported to your supplier within 10 days of purchase and before installation

No claims can be enforced outside of these terms.

TOOLS REQUIRE



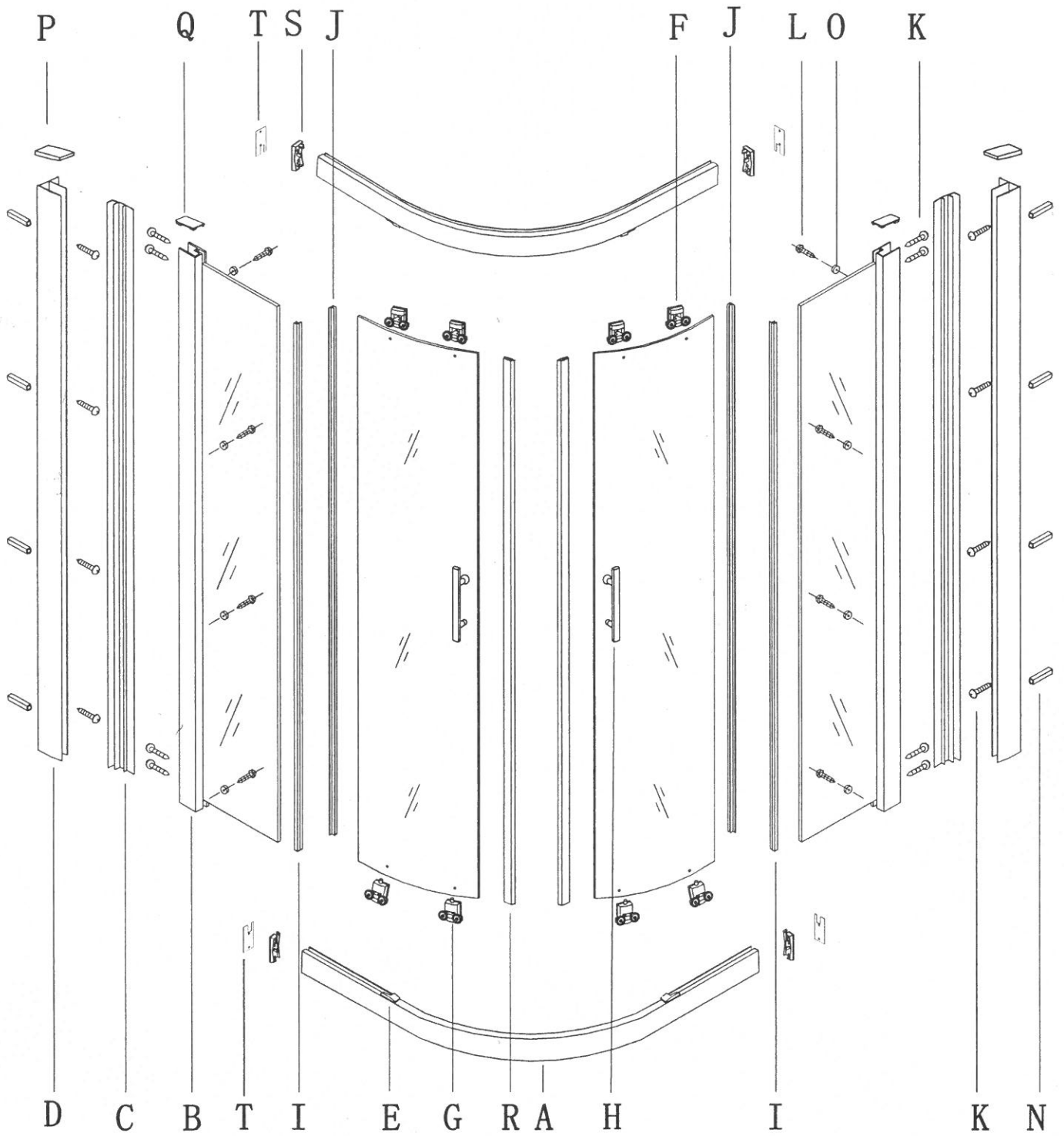
LIST OF SPARE PARTS



Please make the following checks before commencing installation:

- The product supplied is the required size and adjustment is compatible with the site situation
- Check all component parts are present; see packing list and product schematic diagram for reference.
- Make sure you have all the tools required.

PRODUCT SCHEMATIC DIAGRAM



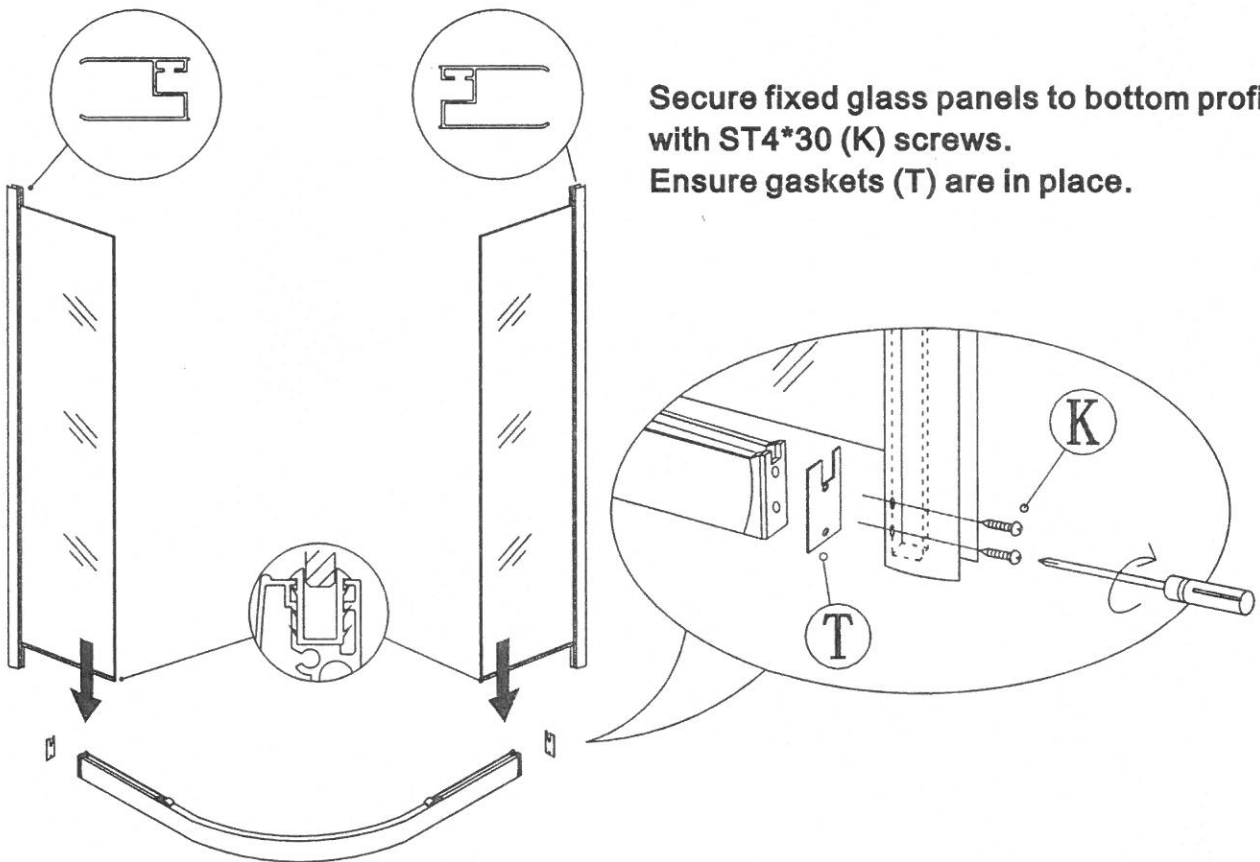
1

(S)

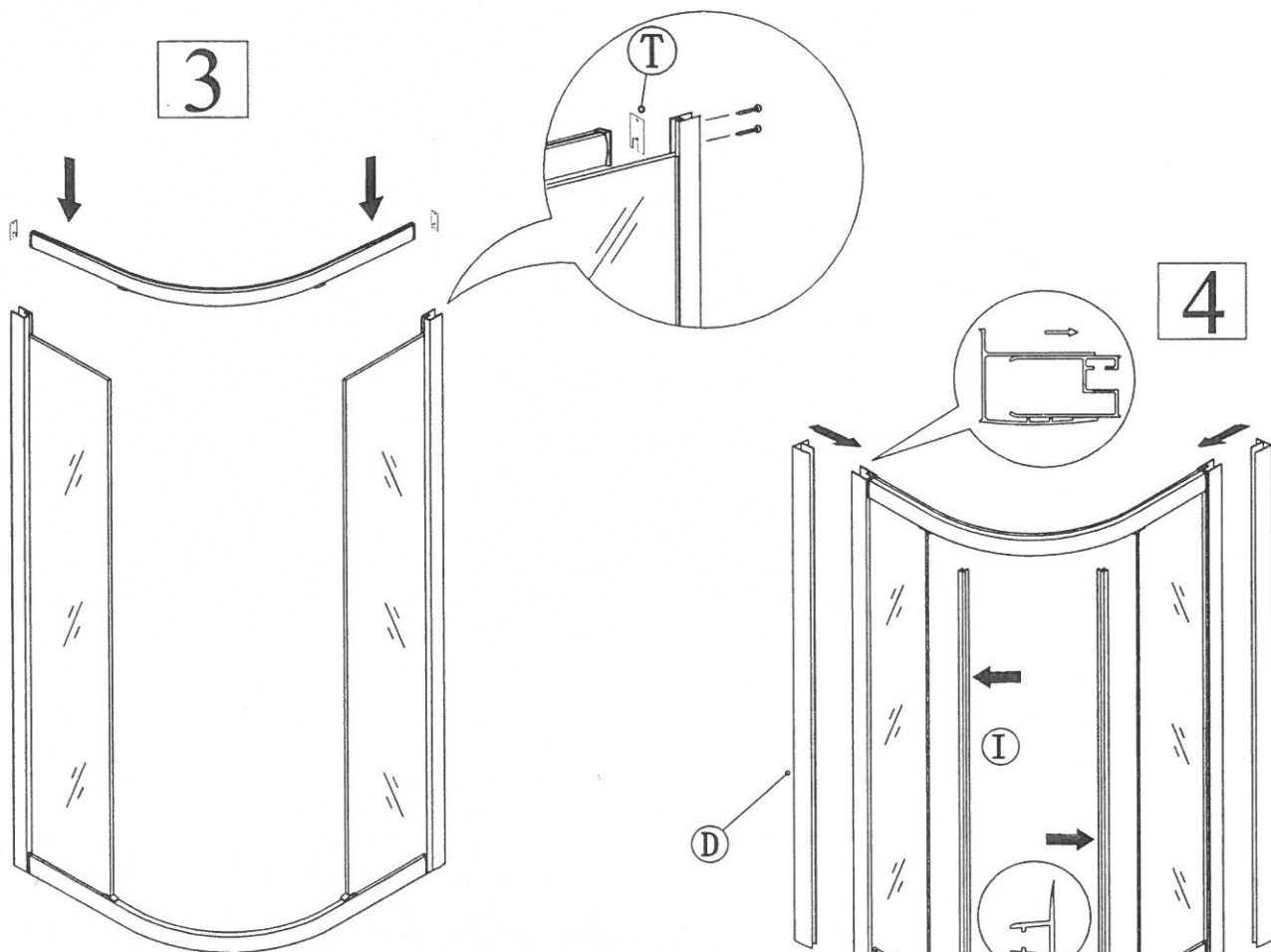
Connect parts (S) onto ends of profiles (A).

2

Secure fixed glass panels to bottom profile (A) with ST4*30 (K) screws. Ensure gaskets (T) are in place.

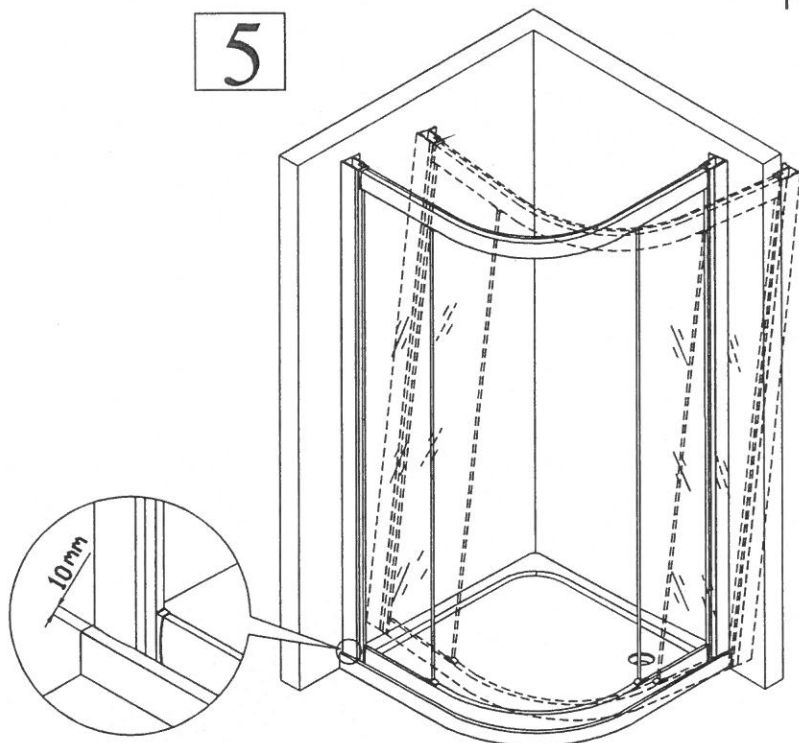


(1)



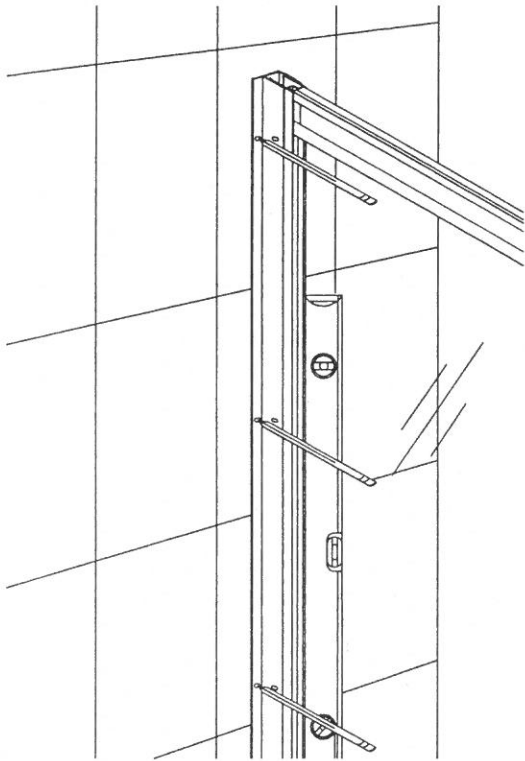
Secure fixed panels onto top profile (A) with ST4*30 (K) screws. Ensure gaskets (T) are in place.

Place wall profiles (D) onto end of quad frame. Fix anti-water strips (I).



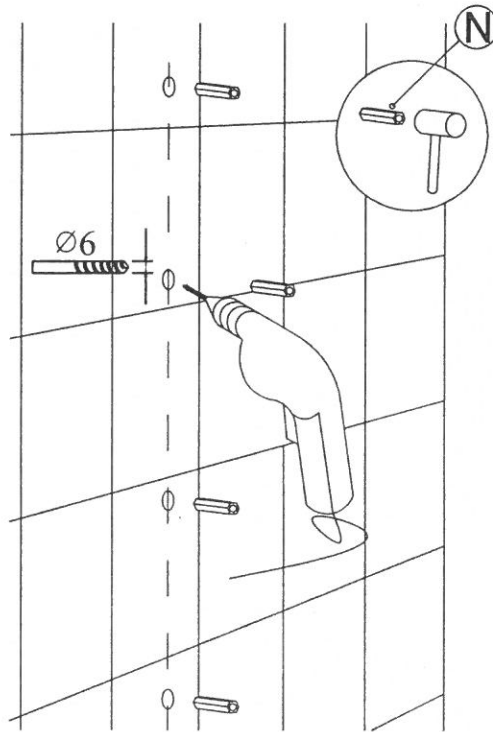
Lift quad with wall profiles in place onto tray and adjust until in required position.

6



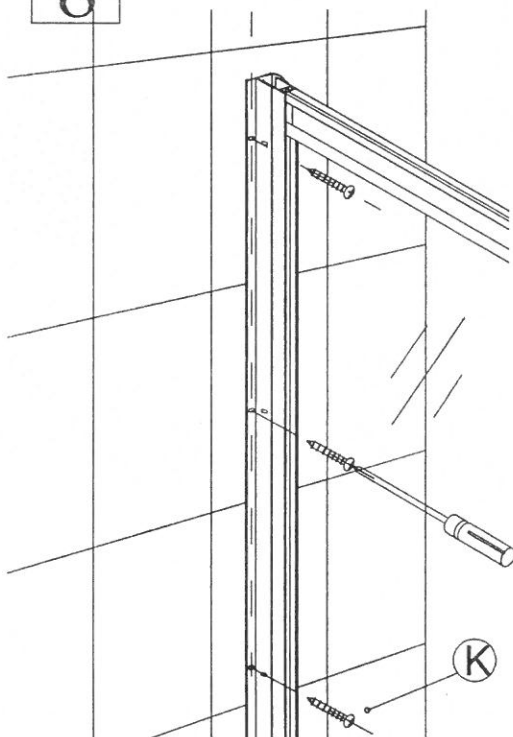
Level and mark wall profile fixing holes.

7



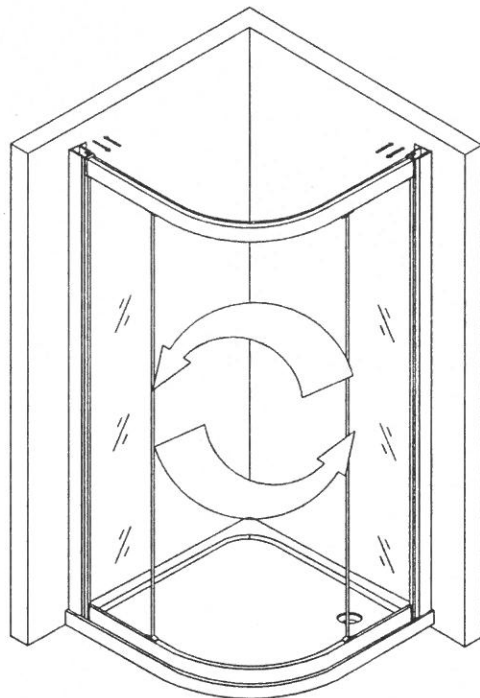
Drill fixing holes with 6mm bit. Fit wall plugs (N). Substitute for hollow wall fixings if installing onto a stud wall.

8



Fix in position with ST4*30 (K) screws.

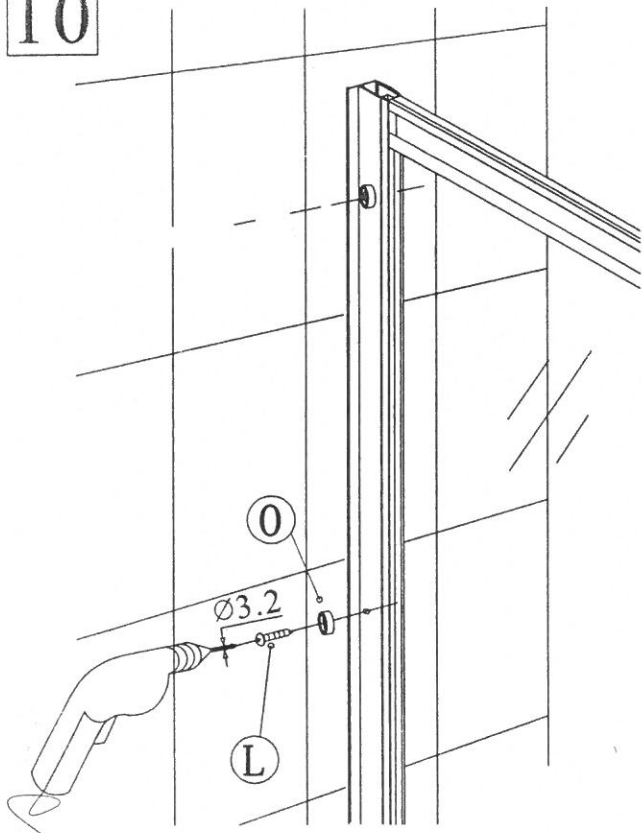
9



Adjust in profiles as required.

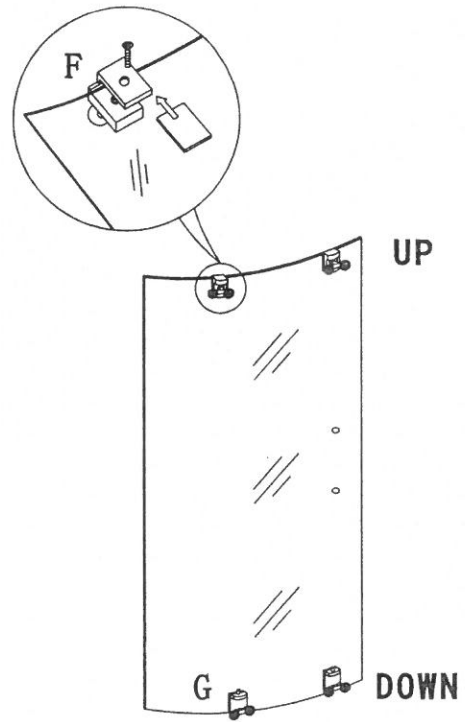
(3)

10



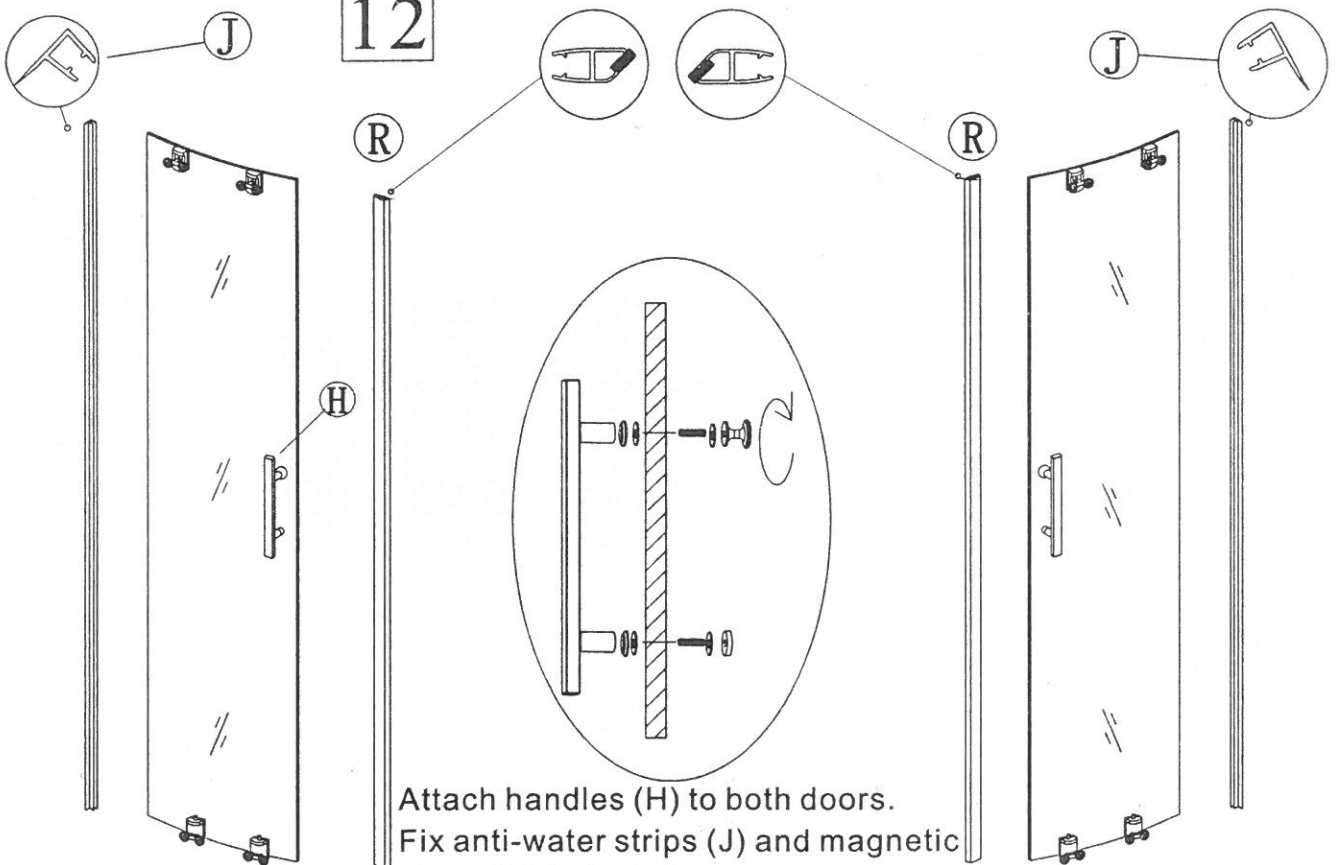
Drill quad frame with 3.2mm bit.
Secure to wall profile (D) with ST4*12 (L)
screws and washer (O).

11



Fix rollers (F) to top of door and
rollers (G) to bottom.

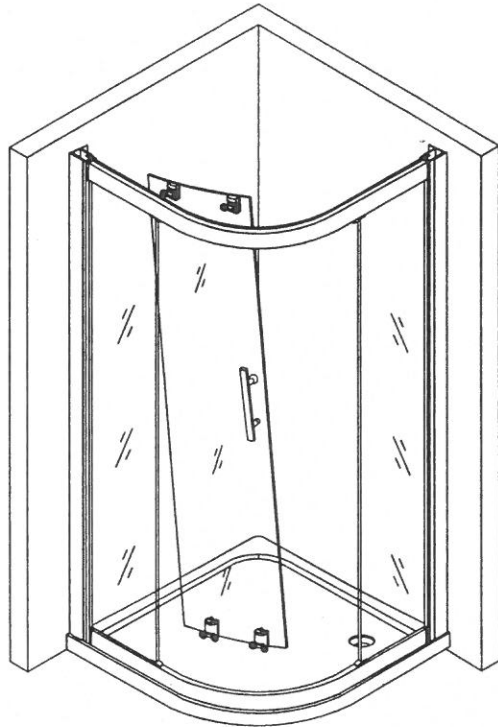
12



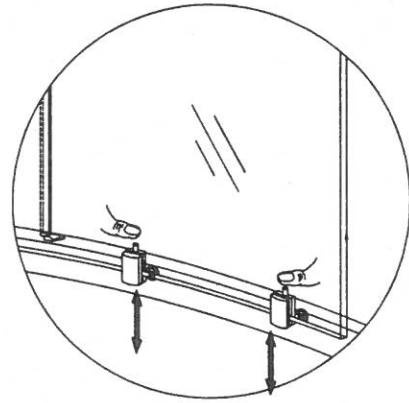
Attach handles (H) to both doors.
Fix anti-water strips (J) and magnetic
strips (R) to both doors.

(4)

13

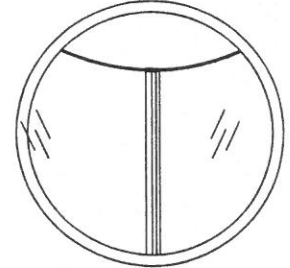
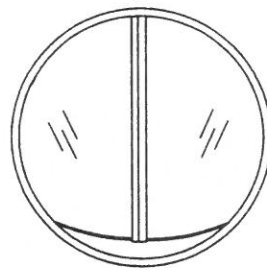
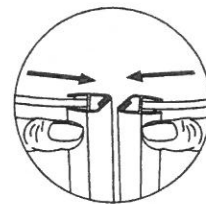
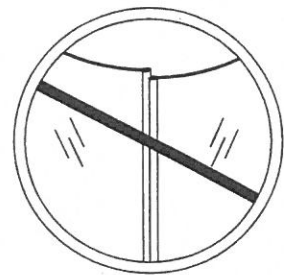
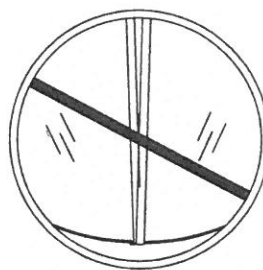
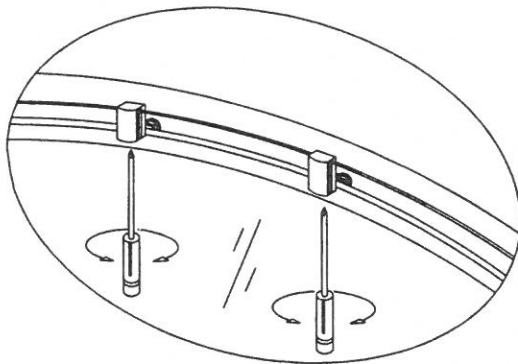


Lift top rollers onto top rail of quad.
Push down on bottom roller and click
into bottom rail.



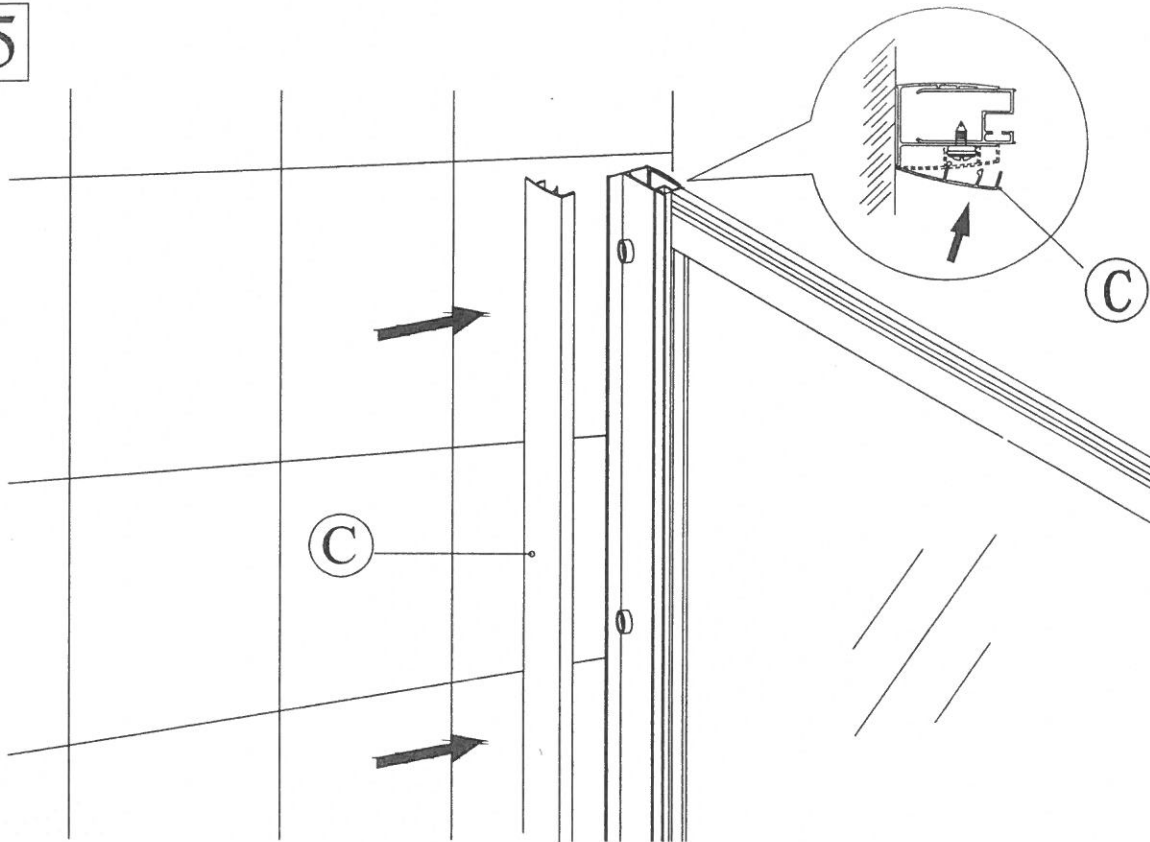
14

Adjust rollers as required to ensure doors connect correctly.



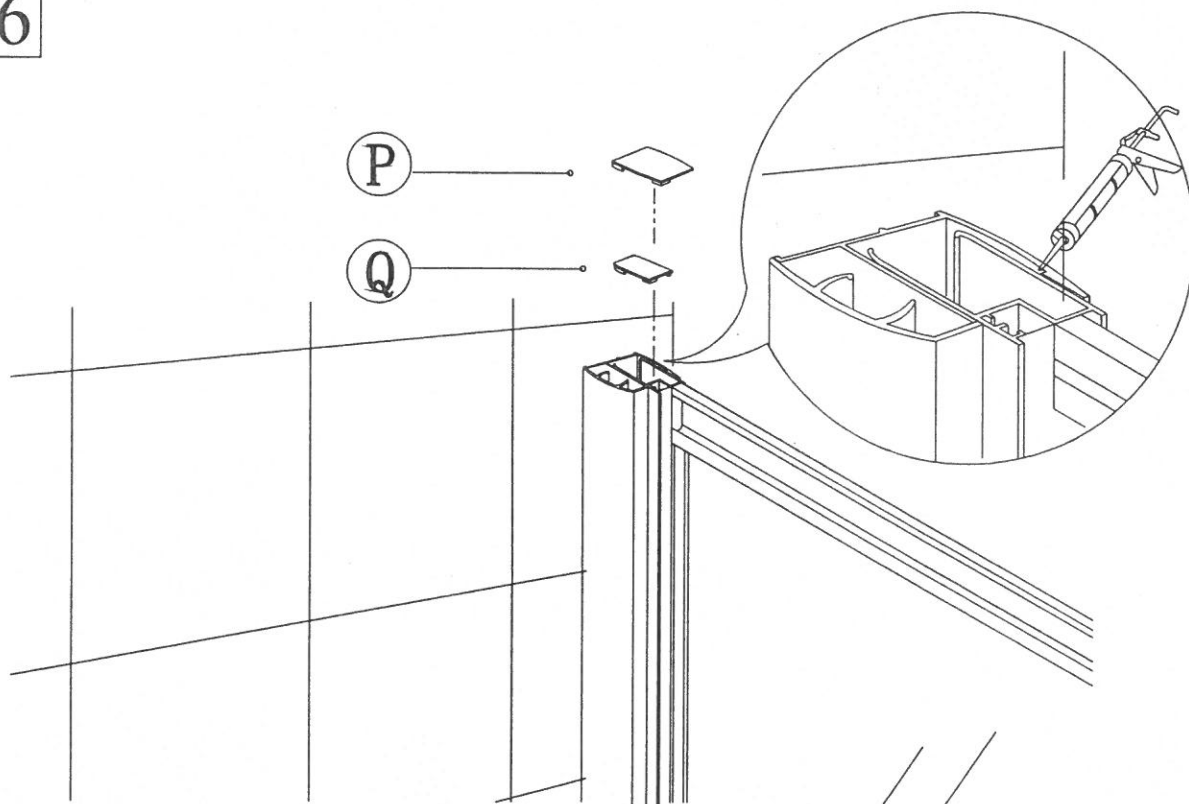
(5)

15



Clip screw cover profiles (C) onto washer (O).

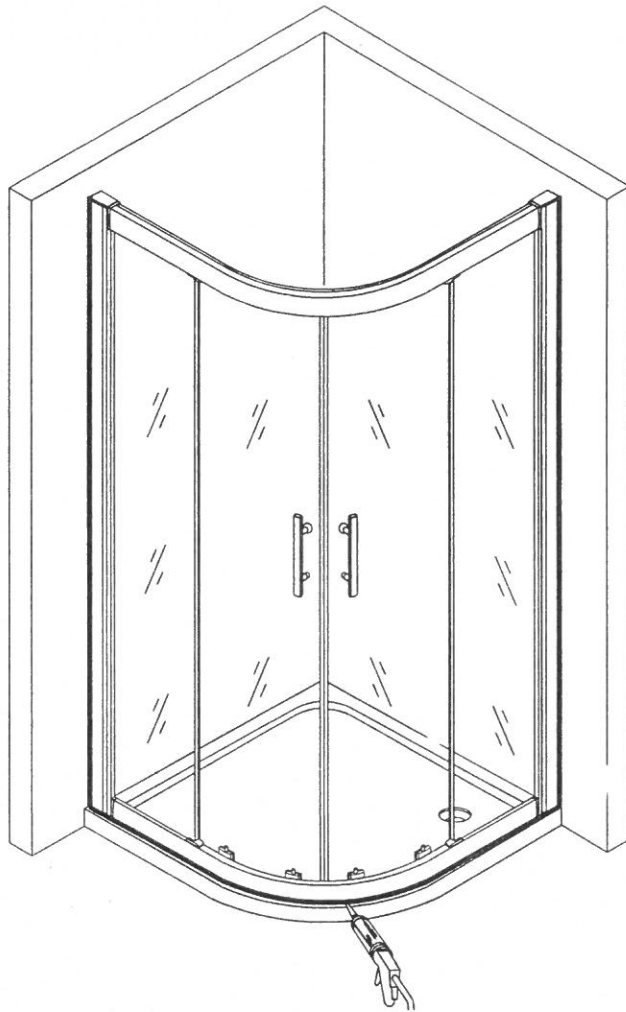
16



Place small bead of silicone around top of profiles and fix covers (P) and (Q).

(6)

17



Please ensure silicone sealant is on the outside only as shown.

Eastbrook

Eastbrook Road, Gloucester GL4 3DB
Technical Helpline: 01452 317890
email: technical@eastbrookco.com

Cleaning and Maintenance of Shower Enclosures

Do not clean the shower enclosure with irritant detergents such as alcohol, bleach or other chemical cleaners.

Only clean with mild soapy water or a proprietary cleaner where the label advises it is suitable for the materials the enclosure is constructed from, test on a small area first.

For treating limescale we would recommend distilled vinegar in a half and half solution with water.

Following installation should you find that there is a notable noise when the glass door moves you may add a small amount of silicone lubricant onto the roller wheels and tracks, hinges or clips.

It is the responsibility of the product owner to maintain the product as recommended above. Also to check for parts which have broken or become loose to protect against failure of the enclosure.